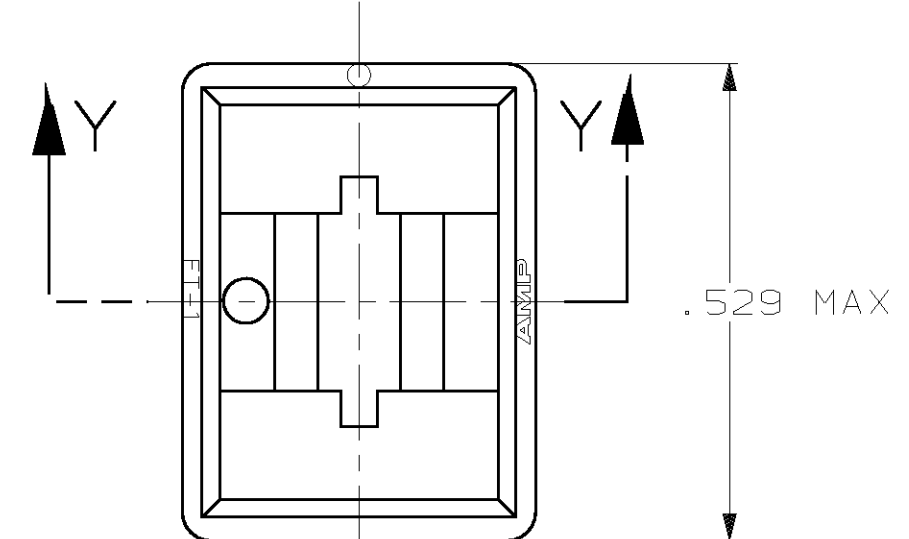
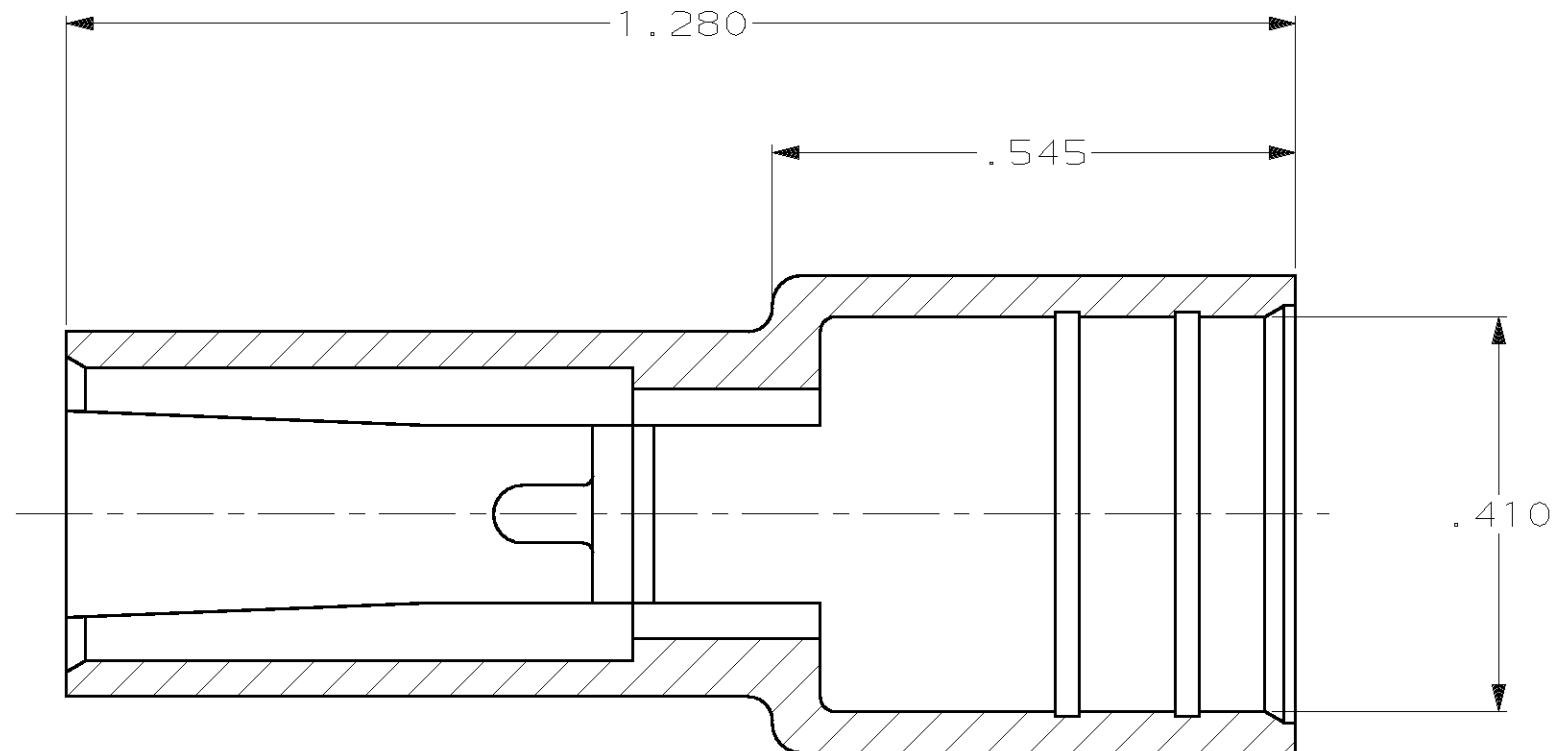
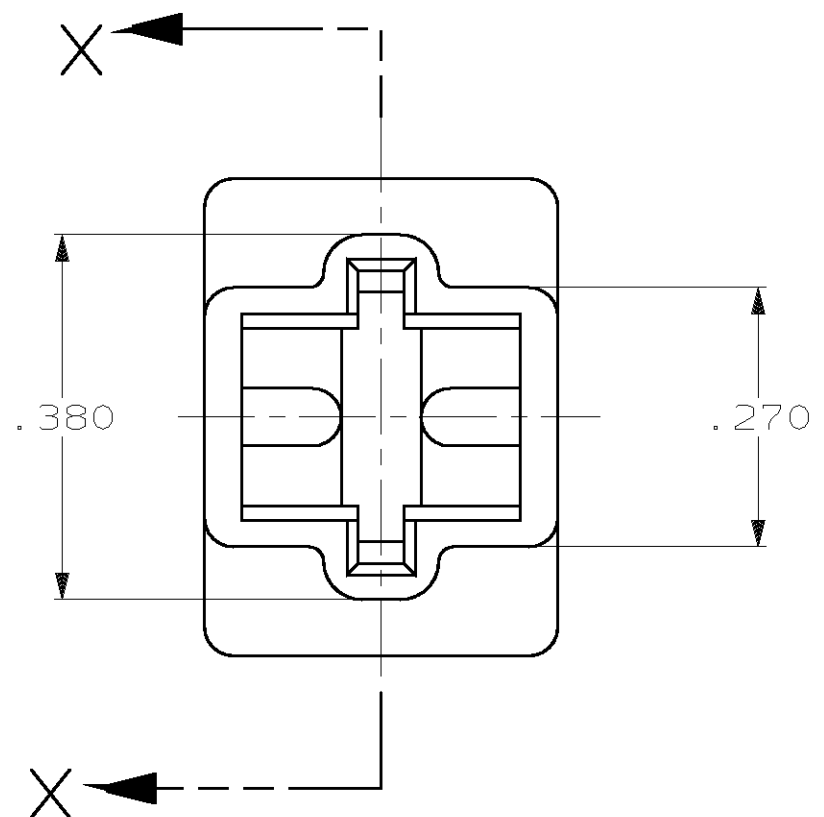
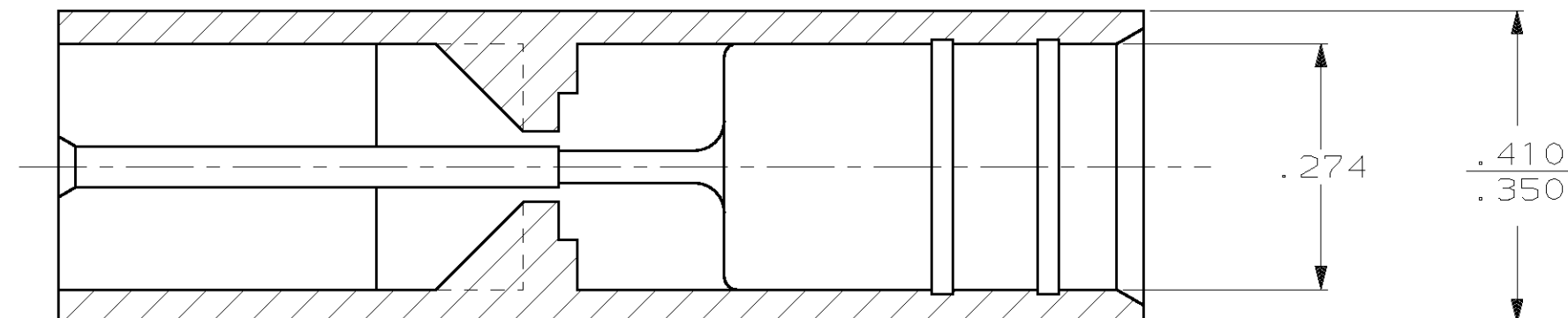


REVISIONS									
LOC	DIST	P	F	ZONE	LTR	DESCRIPTION	DATE	APPD	
AF	50					AE OBS -2 PER 063A-0656-01	21FEB02	JR/ND	




SECTION X-X



SECTION Y-Y
 ROTATED 90° CW

	COLOR	MATERIAL	PART NO
	BLACK	4/6 NYLON UL 150°C	1-480053-0
OBSOLETE	DYED GREY	6/6 NYLON	480053-9
OBSOLETE	DYED PINK	6/6 NYLON	480053-8
OBSOLETE	DYED BLUE	6/6 NYLON	480053-7
OBSOLETE	DYED GREEN	6/6 NYLON	480053-6
	RED	6/6 NYLON	480053-5
	BLACK	6/6 NYLON	480053-4
	NATURAL	6/6 NYLON	480053-3
OBSOLETE	BLACK	CYCOLAC	480053-2
OBSOLETE	CLEAR	TENITE	480053-1

DO NOT SCALE PRINT. UNLESS SPECIFIED DIMENSIONS IN mm [INCHES] TOLERANCES ON : 2 PLC DEC ± - 3 PLC DEC ± .015 ANGLES ± -	DR 3/10/94 JR RUTH	 AMP Incorporated Harrisburg, PA 17105-3608	
	CHK 3/10/94 MS FEHER		
MATERIAL SEE TABLE	APPD 3/10/94 R BEAVER	NAME HOUSING, TAB, FASTIN-FASTON, .250 SERIES	
FINISH SEE TABLE	APPD 3/10/94 R REINER	SIZE C	CAGE CODE 00779
	PRODUCT SPEC -	DRAWING NO C=480053	
	APPLICATION SPEC -	SCALE 5:1	SHEET 1 OF 1
	WEIGHT -		

THIS DRAWING IS A CONTROLLED DOCUMENT FOR AMP INCORPORATED. IT IS SUBJECT TO CHANGE AND THE CONTROLLING ENGINEERING ORGANIZATION SHOULD BE CONTACTED FOR THE LATEST REVISION.